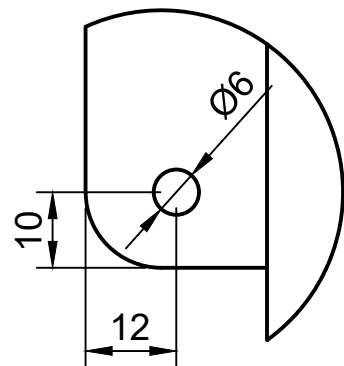


A (1:1)



Dept.	Technical reference 2mm Alloy	Created by Mark M	29/06/2022	Approved by	
		Document type	Document status		
		Title 1.5L Header Tank W/ Sight Tube	DWG No. OBPHE005		
Rev.	Date of issue 29/6/22	Sheet 1/1			