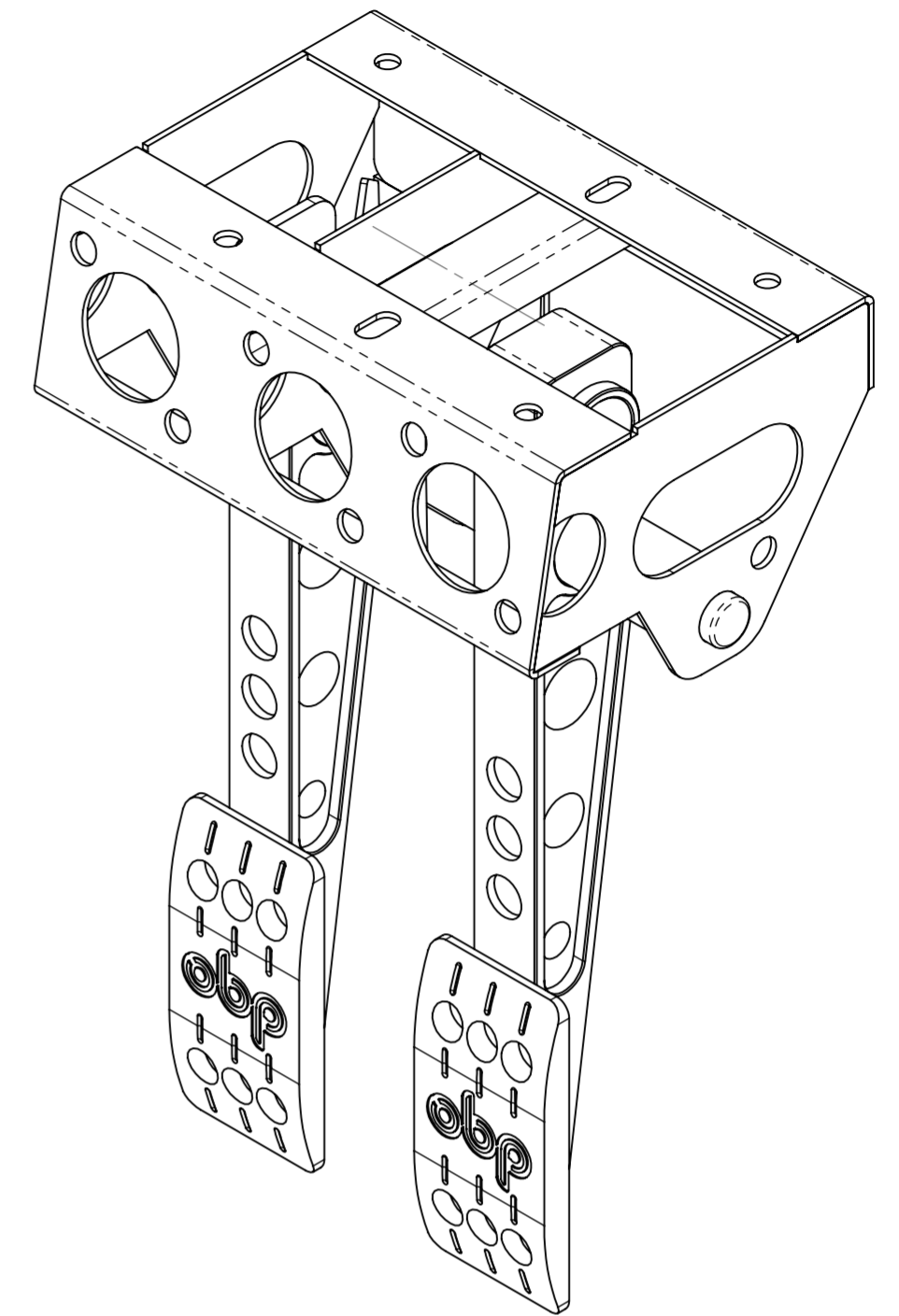
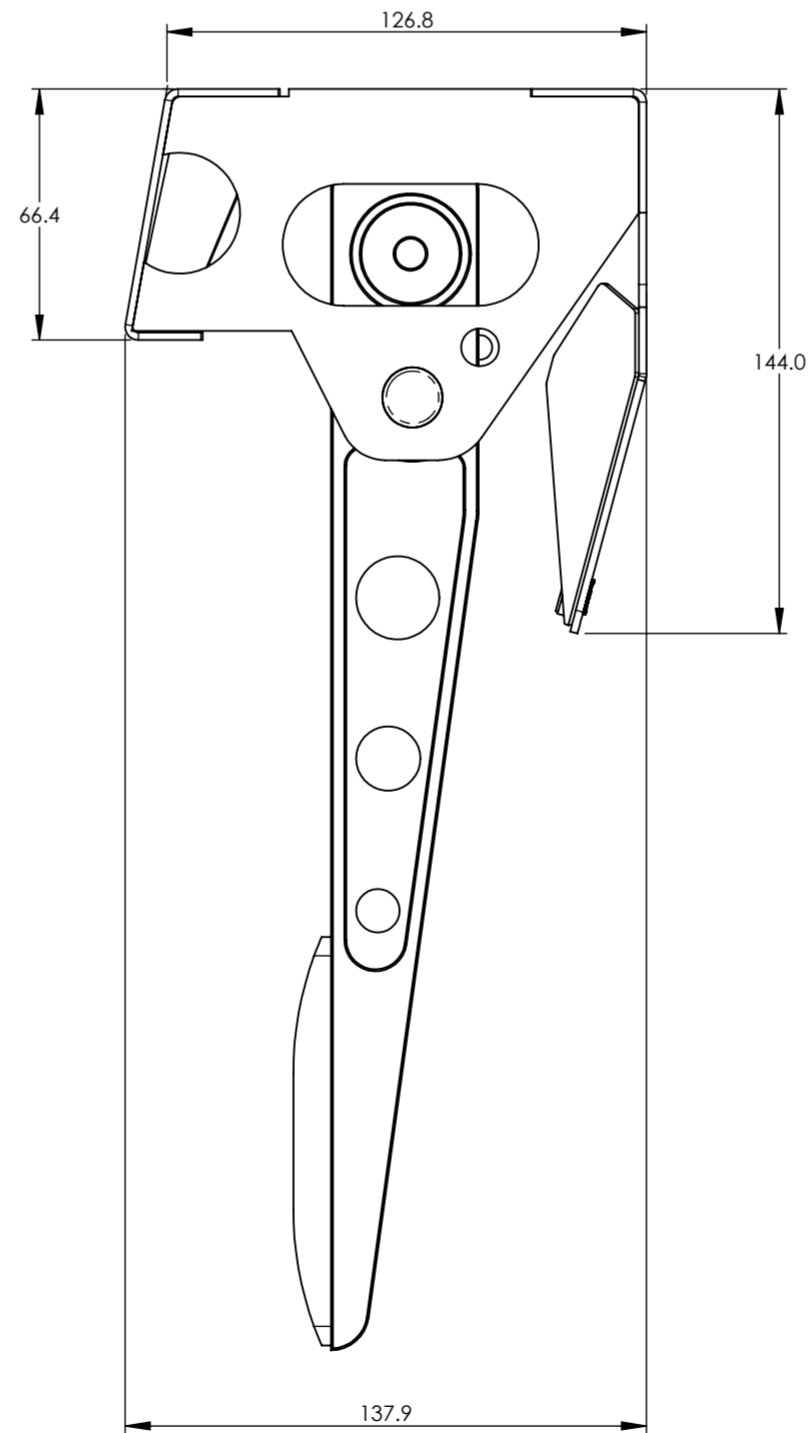
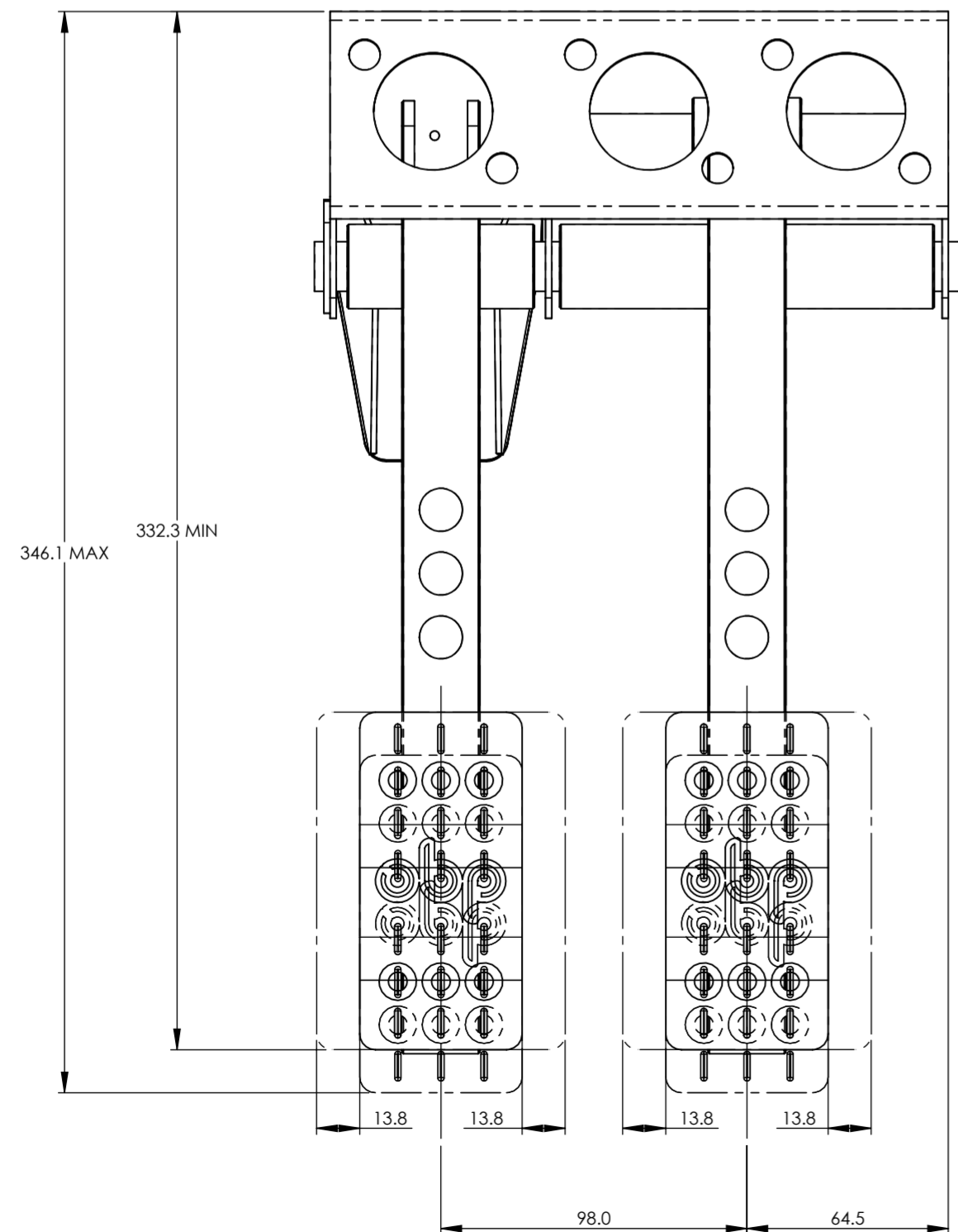



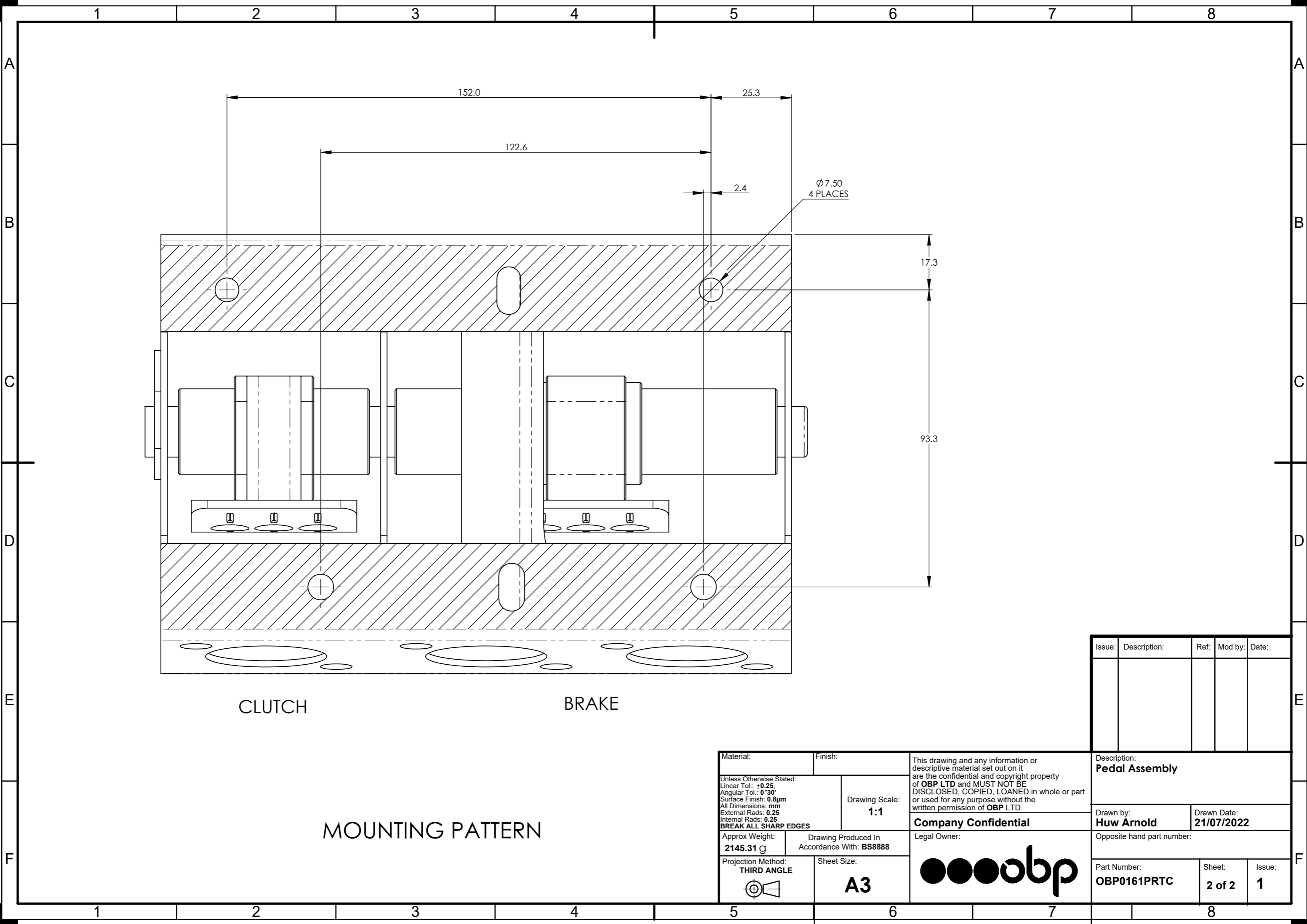
CLUTCH BRAKE

PEDAL POSITION ADJUSTMENTS



Issue:	Description:	Ref:	Date:
01	First Issue	##	21/07/2022

Material:		Finish:		This drawing and any information or descriptive material set out on it are the confidential and copyright property of OBP LTD. © and MUST NOT BE DISCLOSED, COPIED, LOANED in whole or part or used for any purpose without the written permission of OBP LTD.		Description:	
Unless Otherwise Stated: Linear Tol: ±0.25 Angular Tol: 0°30' Surface Finish: 0.8µm All Dimensions: mm External Rads: 0.25 Internal Rads: 0.25 BREAK SHARP EDGES		Drawing Scale: 1:2				Company Confidential	
Approx Weight: 2145.31 g		Drawing Produced In Accordance With: BS8888		Legal Owner:		Drawn by: Huw Arnold	
Projection Method: THIRD ANGLE		Sheet Size: A2				Drawn Date: 21/07/2022	
						Opposite hand part number:	
						Sheet: 1 of 2	
						Issue: 1	



CLUTCH

BRAKE

MOUNTING PATTERN


Issue:	Description:	Ref:	Mod by:	Date:

Material:	Finish:
<small>Unless Otherwise Stated: Linear Tol.: ±0.25 Angular Tol.: 0°30' Surface Finish: 0.8µm All Dimensions: mm External Rads: 0.25 Internal Rads: 0.25 BREAK ALL SHARP EDGES</small>	
Approx Weight: 2145.31 g	Drawing Produced In Accordance With: BS8888
Projection Method: THIRD ANGLE	Sheet Size: A3

This drawing and any information or descriptive material set out on it are the confidential and copyright property of **OBP LTD** and MUST NOT BE DISCLOSED, COPIED, LOANED in whole or part or used for any purpose without the written permission of **OBP LTD**.

Company Confidential

Legal Owner:



Description: Pedal Assembly		
Drawn by: Huw Arnold	Drawn Date: 21/07/2022	
Opposite hand part number:		
Part Number: OBP0161PRTC	Sheet: 2 of 2	Issue: 1