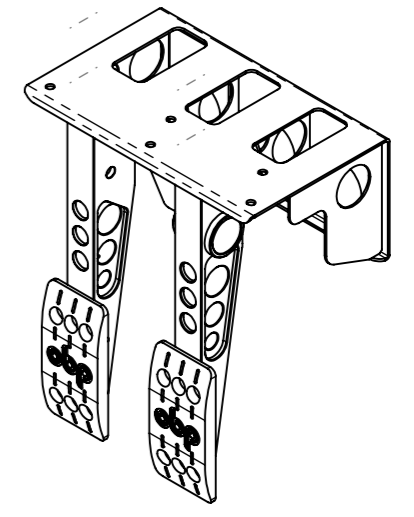
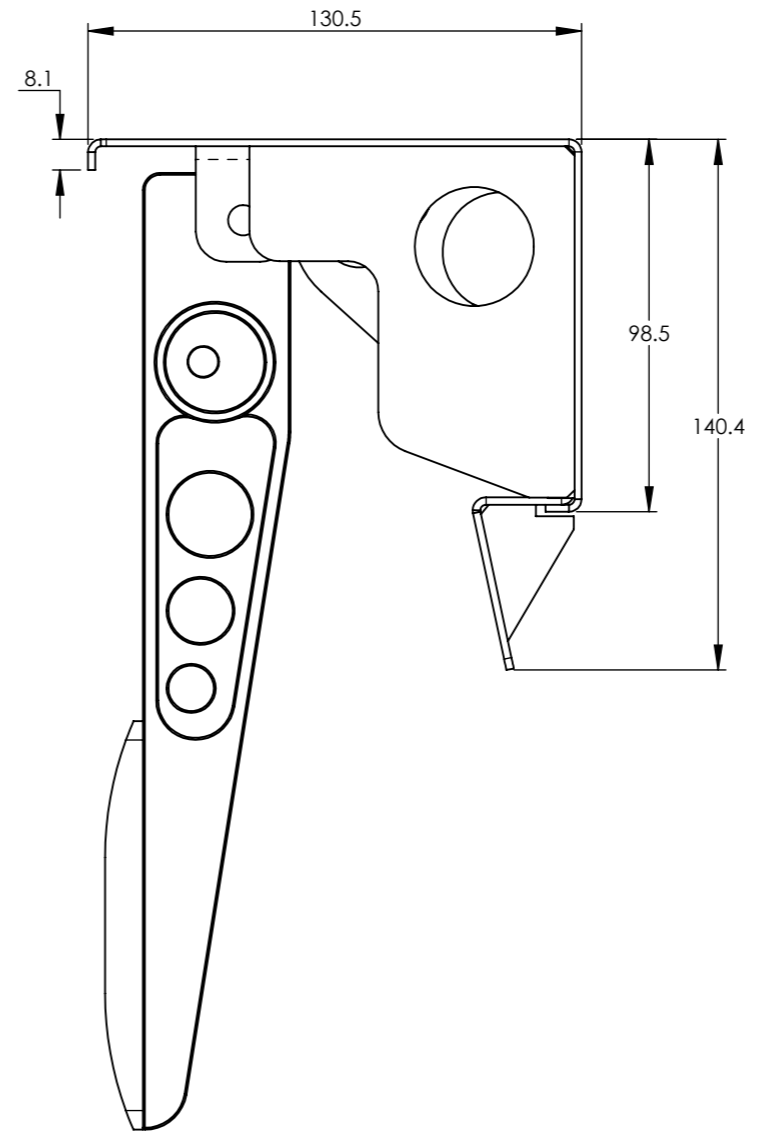
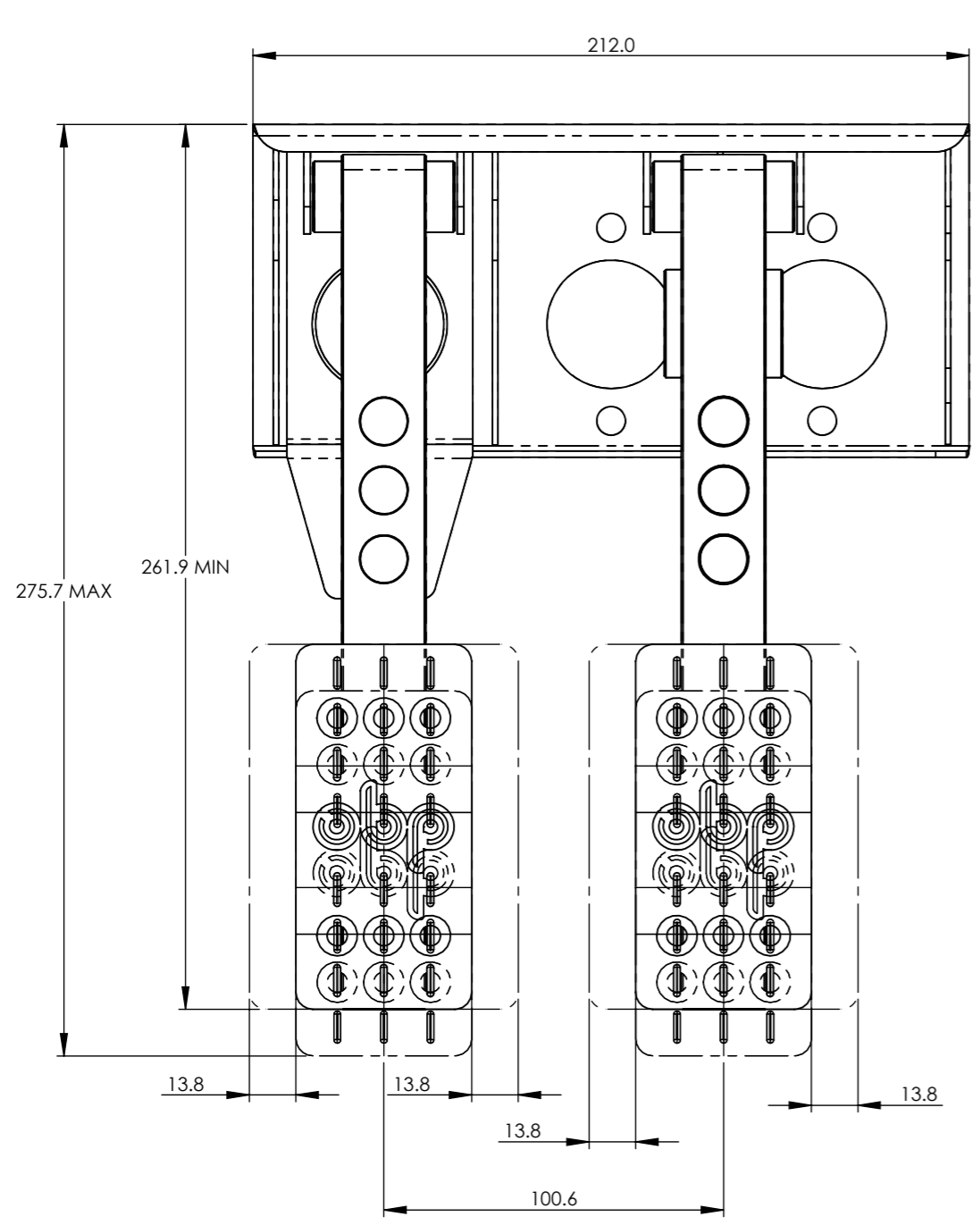


1 2 3 4 5 6 7 8

A
B
C
D
E
F



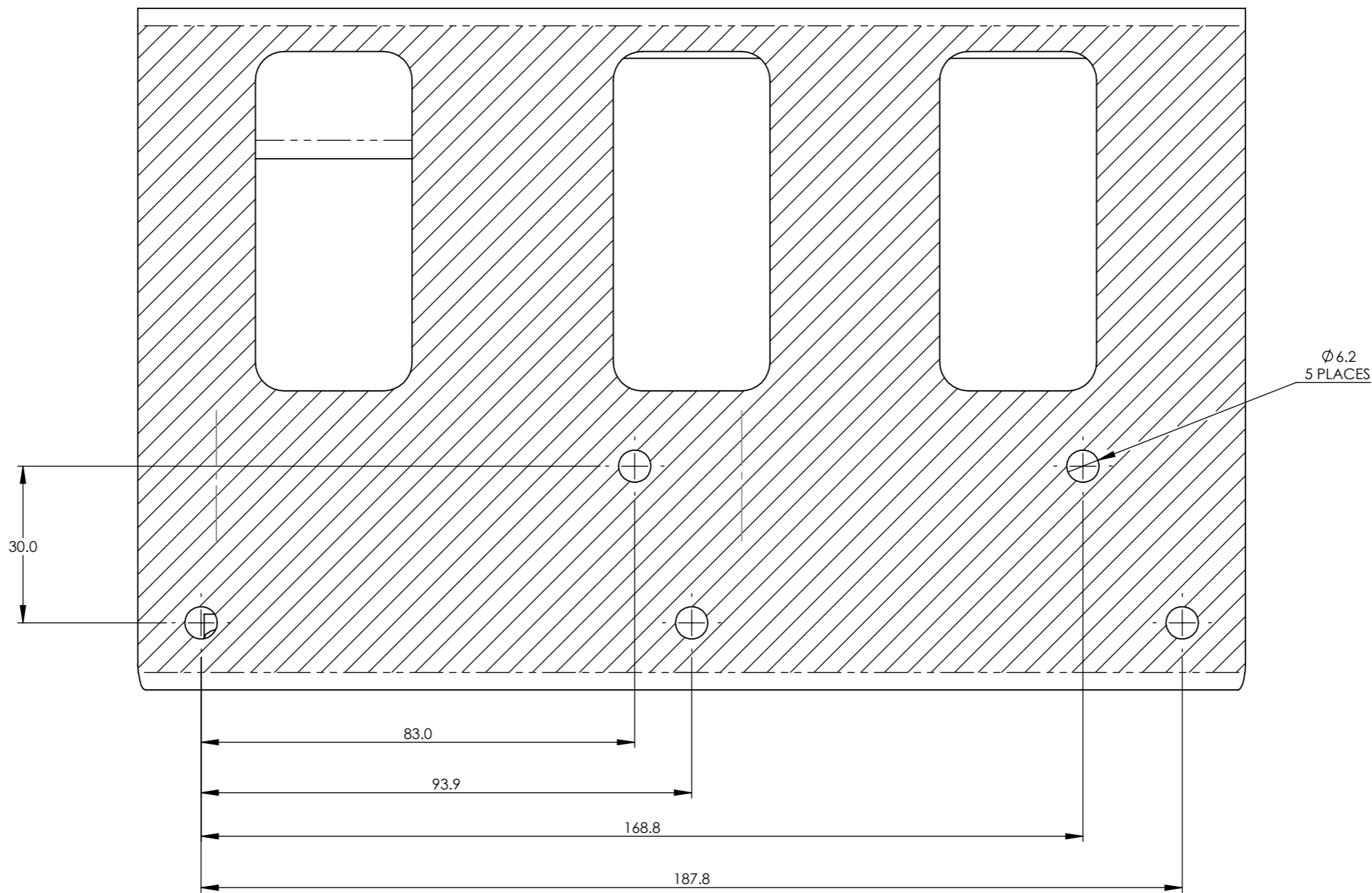
PEDAL POSITION ADJUSTMENTS

Issue:	Description:	Ref:	Mod by:	Date:
01	First Issue	##	HA	29/06/2022


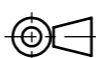
Material:		Finish:		This drawing and any information or descriptive material set out on it are the confidential and copyright property of OBP LTD and MUST NOT BE DISCLOSED, COPIED, LOANED in whole or part or used for any purpose without the written permission of OBP LTD .		Description: Pedal Box Assembly	
Unless Otherwise Stated: Linear Tol.: ±0.25 Angular Tol.: 0°30' Surface Finish: 0.8µm All Dimensions: mm External Rads: 0.25 Internal Rads: 0.25 BREAK ALL SHARP EDGES		Drawing Scale: 1:2				Company Confidential	
Approx Weight: 1823.06 g		Drawing Produced In Accordance With: BS8888		Legal Owner:		Drawn Date: 29/06/2022	
Projection Method: THIRD ANGLE		Sheet Size: A3				Opposite hand part number:	
						Part Number: OBP0161PRT	
						Issue: 1	

1 2 3 4 5 6 7 8

MOUNTING PATTERN



Issue:	Description:	Ref:	Mod by:	Date:
01	First Issue	##	HA	29/06/2022

Material:		Finish:		This drawing and any information or descriptive material set out on it are the confidential and copyright property of OBP LTD and MUST NOT BE DISCLOSED, COPIED, LOANED in whole or part or used for any purpose without the written permission of OBP LTD .		Description: Pedal Box Assembly	
Unless Otherwise Stated: Linear Tol.: ±0.25 Angular Tol.: 0°30' Surface Finish: 0.8µm All Dimensions: mm External Rads: 0.25 Internal Rads: 0.25 BREAK ALL SHARP EDGES		Drawing Scale: 1:1				Company Confidential	
Approx Weight: 1823.06 g		Drawing Produced In Accordance With: BS8888		Legal Owner:		Drawn Date: 29/06/2022	
Projection Method: THIRD ANGLE		Sheet Size: A3				Opposite hand part number:	
						Part Number: OBP0161PRT	