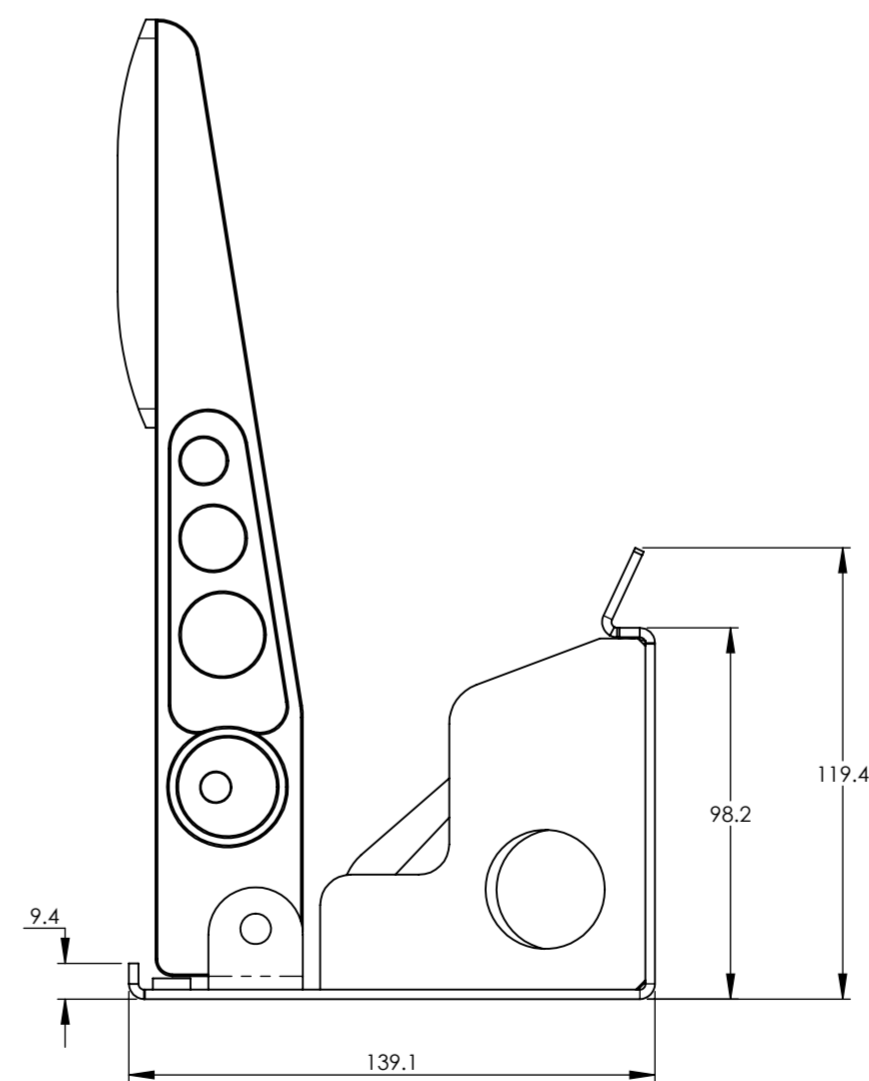


PEDAL POSITION ADJUSTMENTS



Issue:	Description:	Ref:	Date:
01	First Issue		21/07/2022

Material:		Finish:		This drawing and any information or descriptive material set out on it are the confidential and copyright property of NS85. © and MUST NOT BE DISCLOSED, COPIED, LOANED in whole or part or used for any purpose without the written permission of NS85.	Description:	
Unless Otherwise Stated: Linear Tol: ±0.25 Angular Tol: 0°30' Surface Finish: 0.8µm All Dimensions: mm External Rads: 0.25 Internal Rads: 0.25 BREAK SHARP EDGES		Drawing Scale: 1:2			Pedal Box Assembly	
Approx Weight: 1972.82 g		Drawing Produced In Accordance With: BS8888		Company Confidential		Drawn by: <b>Huw Arnold</b>
Projection Method: THIRD ANGLE		Sheet Size: <b>A2</b>		Legal Owner: <b>obp</b>		Drawn Date: 21/07/2022
				Opposite hand part number:		Part Number: <b>OBP0161PR</b>
						Sheet: 1 of 1
						Issue: 1