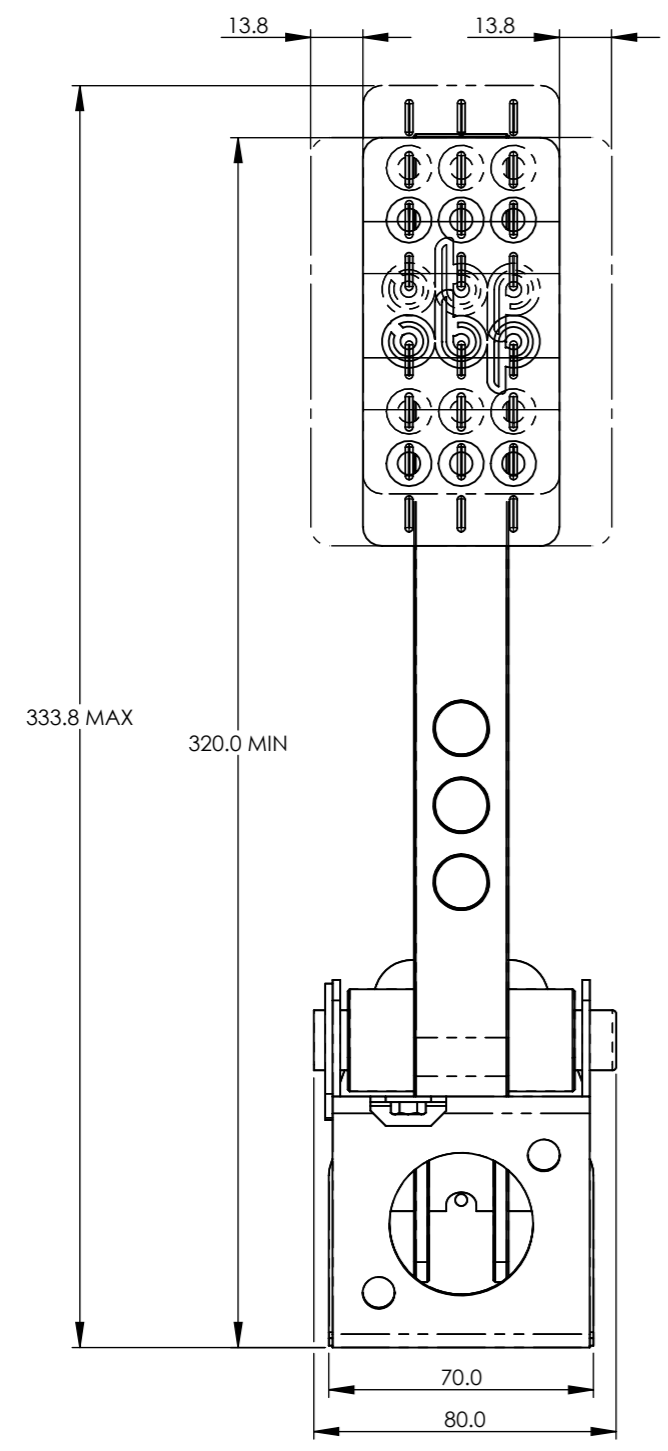


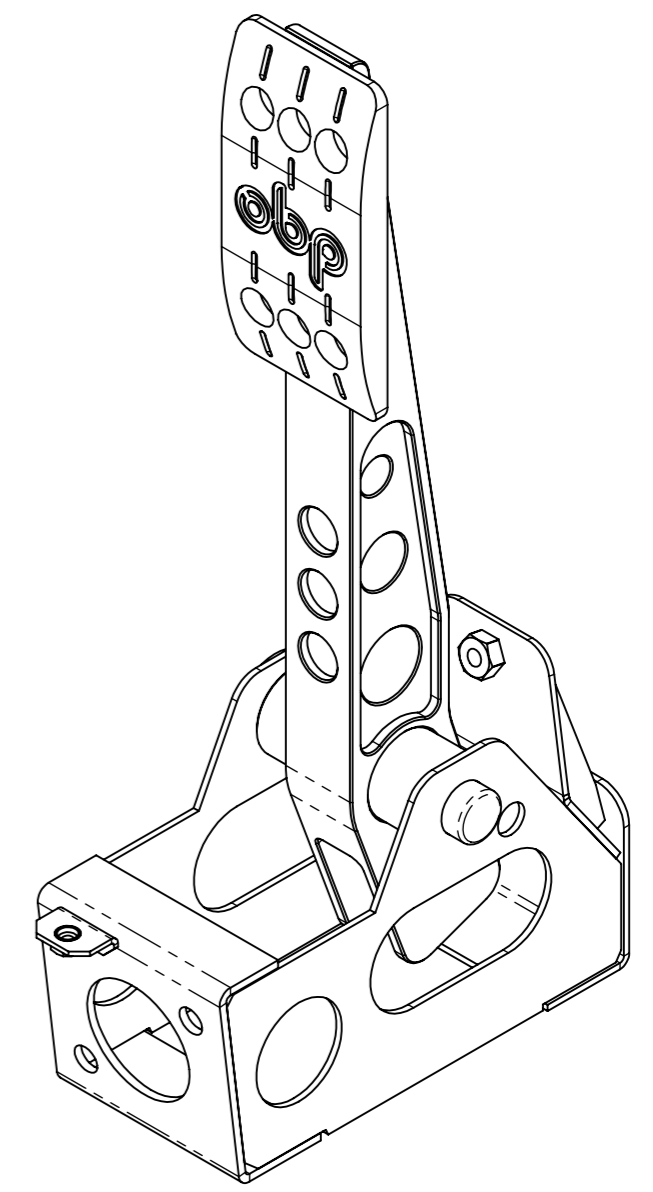
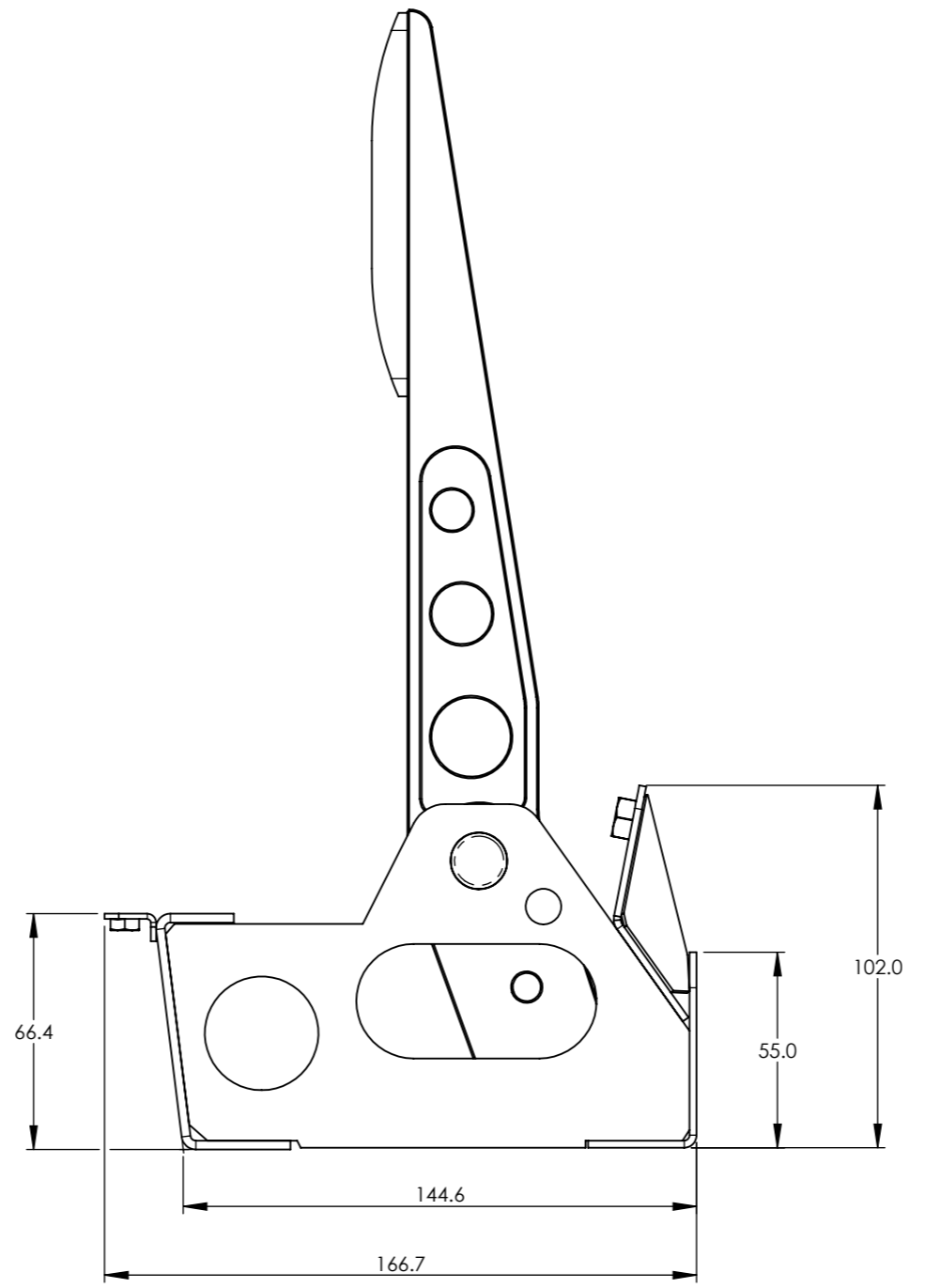
1 2 3 4 5 6 7 8

A
B
C
D
E
F

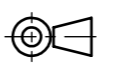

A
B
C
D
E
F



PEDAL POSITION ADJUSTMENTS



Issue:	Description:	Ref:	Mod by:	Date:
01	First Issue	##	HA	27/07/2022

Material: Unless Otherwise Stated: Linear Tol.: ±0.25 Angular Tol.: 0°30' Surface Finish: 0.8µm All Dimensions: mm External Rads: 0.25 Internal Rads: 0.25 BREAK ALL SHARP EDGES		Finish:	This drawing and any information or descriptive material set out on it are the confidential and copyright property of OBP LTD and MUST NOT BE DISCLOSED, COPIED, LOANED in whole or part or used for any purpose without the written permission of OBP LTD .	Description: Pedal Box Assembly		
Approx Weight: 1047.63 g	Drawing Produced In Accordance With: BS8888			Legal Owner: Company Confidential	Drawn by: Huw Arnold	Drawn Date: 27/07/2022
Projection Method: THIRD ANGLE 	Sheet Size: A3			Opposite hand part number:		
				Part Number: OBP0045PRC	Sheet: 1 of 1	Issue: 1

1 2 3 4 5 6 7 8