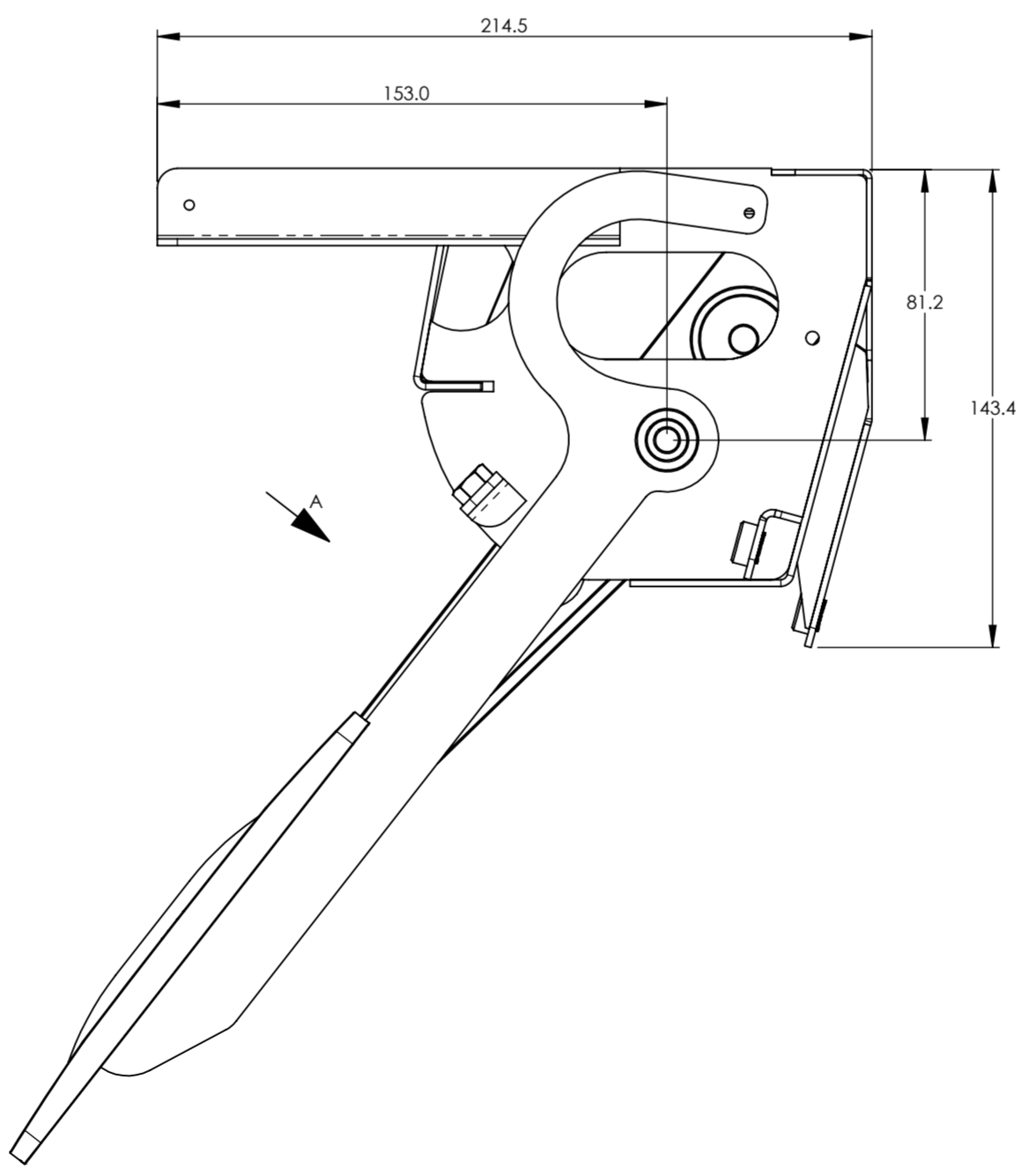
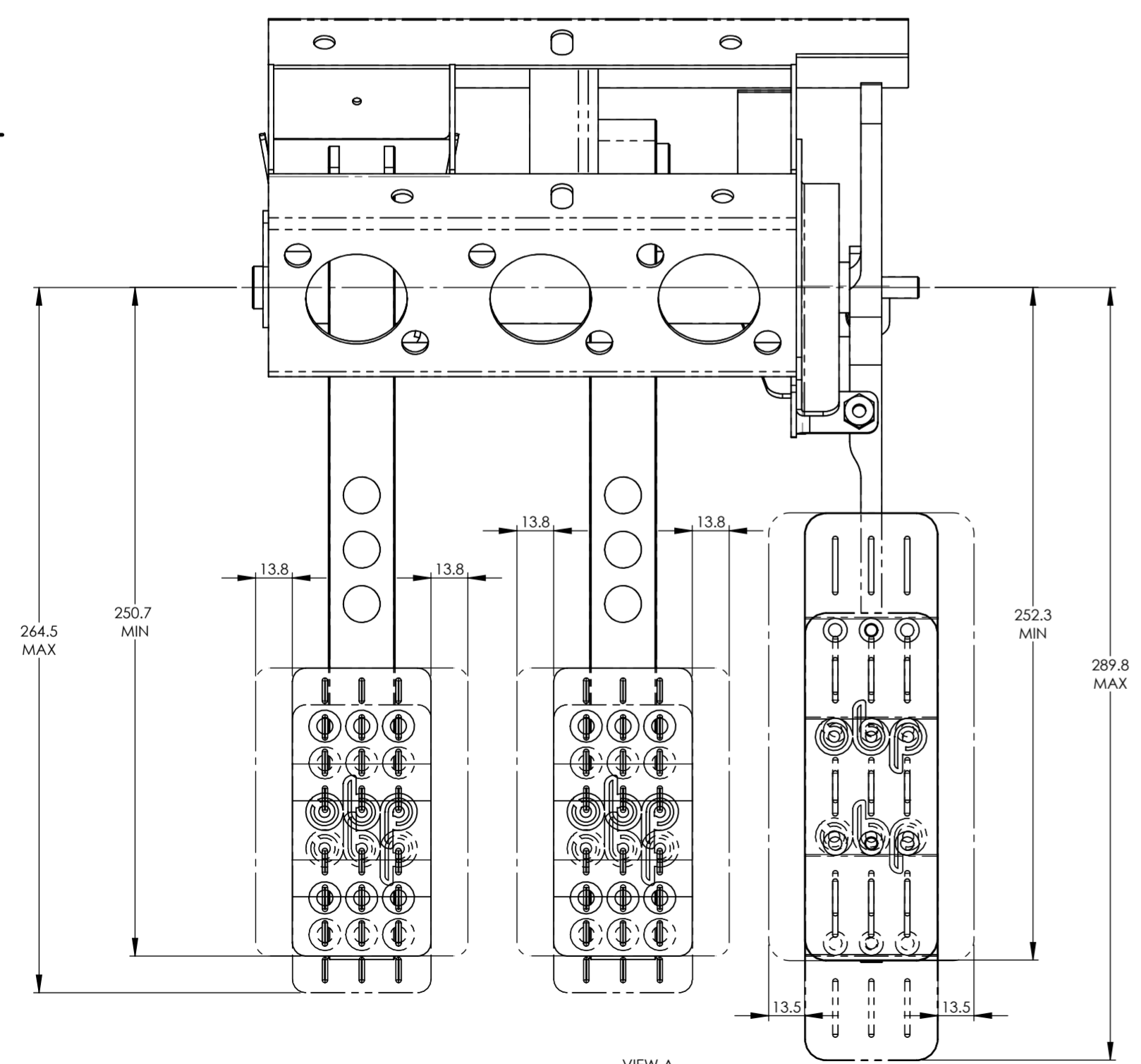


PEDAL POSITION ADJUSTMENTS



Issue:	Description:	Ref:	Date:
01	First Issue		23/05/2022

Material:		Finish:		This drawing and any information or descriptive material set out on it are the confidential and copyright property of <b>OBP LTD.</b> © and MUST NOT BE DISCLOSED, COPIED, LOANED in whole or part or used for any purpose without the written permission of <b>OBP LTD.</b>		Description:	
Unless Otherwise Stated: Linear Tol: ±0.25 Angular Tol: 0°30' Surface Finish: 0.8µm All Dimensions: mm External Rads: 0.25 Internal Rads: 0.25 BREAK SHARP EDGES		Drawing Scale: 1:2				Pedal Box Assembly	
Approx Weight: 2741.36 g		Drawing Produced In Accordance With: BS8888		Legal Owner:		Drawn by: <b>Huw Arnold</b>	
Projection Method: THIRD ANGLE		Sheet Size: <b>A2</b>				Drawn Date: 23/05/2022	
						Opposite hand part number:	
				Part Number: <b>OBP0002PRTC</b>		Sheet: 1 of 2	
						Issue: 1	


# MOUNTING PATTERN

CLUTCH

BRAKE

ACCELERATOR

Issue:	Description:	Ref:	Date:
01	First Issue		23/05/2022

Material:		Finish:		This drawing and any information or descriptive material set out on it are the confidential and copyright property of <b>OBP LTD.</b> © and MUST NOT BE DISCLOSED, COPIED, LOANED in whole or part or used for any purpose without the written permission of <b>OBP LTD.</b>		Description:	
Unless Otherwise Stated: Linear Tol: ±0.25 Angular Tol: 0°30' Surface Finish: 0.8µm All Dimensions: mm External Rads: 0.25 Internal Rads: 0.25 BREAK SHARP EDGES		Drawing Scale: 1:1				Pedal Box Assembly	
Approx Weight: 2741.36 g		Drawing Produced In Accordance With: BS8888		Company Confidential		Drawn by: <b>Huw Arnold</b>	
Projection Method: THIRD ANGLE		Sheet Size: <b>A2</b>		Legal Owner: 		Drawn Date: 23/05/2022	
						Opposite hand part number:	
						Part Number: <b>OBP0002PRTC</b>	
						Sheet: 2 of 2	
						Issue: 1	