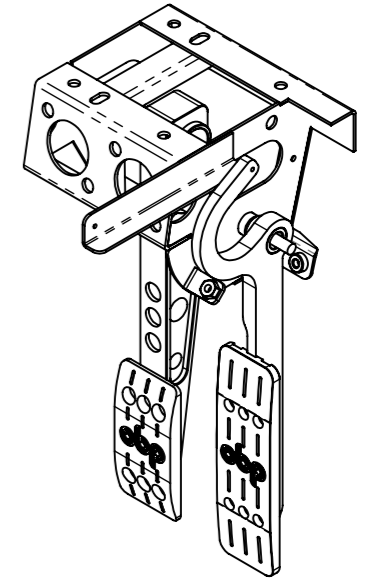
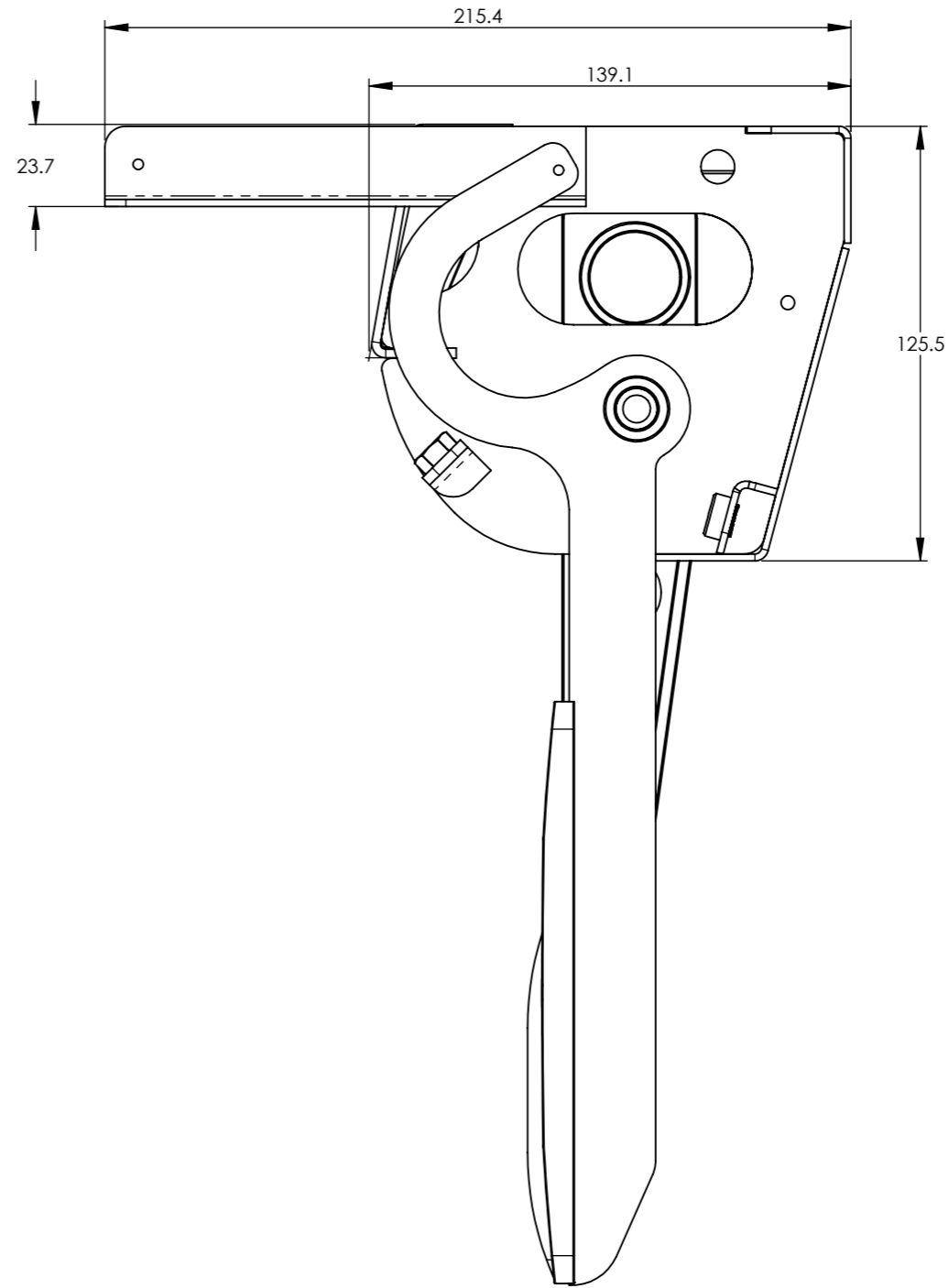


PEDAL POSITION ADJUSTMENTS



Issue:	Description:	Ref:	Mod by:	Date:
01	First Issue	##	HA	27/07/2022

Material:		Finish:	This drawing and any information or descriptive material set out on it are the confidential and copyright property of <b>OBP LTD</b> and MUST NOT BE DISCLOSED, COPIED, LOANED in whole or part or used for any purpose without the written permission of <b>OBP LTD</b> .		Description: <b>Pedal Box Assembly</b>		
Unless Otherwise Stated: Linear Tol.: ±0.25 Angular Tol.: 0°30' Surface Finish: 0.8µm All Dimensions: mm External Rads: 0.25 Internal Rads: 0.25 BREAK ALL SHARP EDGES		Drawing Scale: <b>1:2</b>			Company Confidential		Drawn by: <b>Huw Arnold</b>
Approx Weight: <b>1922.98 g</b>	Drawing Produced In Accordance With: <b>BS8888</b>		Legal Owner:		Opposite hand part number:		
Projection Method: <b>THIRD ANGLE</b>	Sheet Size: <b>A3</b>				Part Number: <b>OBP-PRTC-EV02</b>	Sheet: <b>1 of 1</b>	Issue: <b>1</b>